

MPK50

CASE PACKING | PART TRANSFER | PICK AND PLACE | PALLETIZING



KEY BENEFITS

Fast and powerful
Easy to use
Highly reliable
Unlimited application possibilities

SPECIFICATIONS

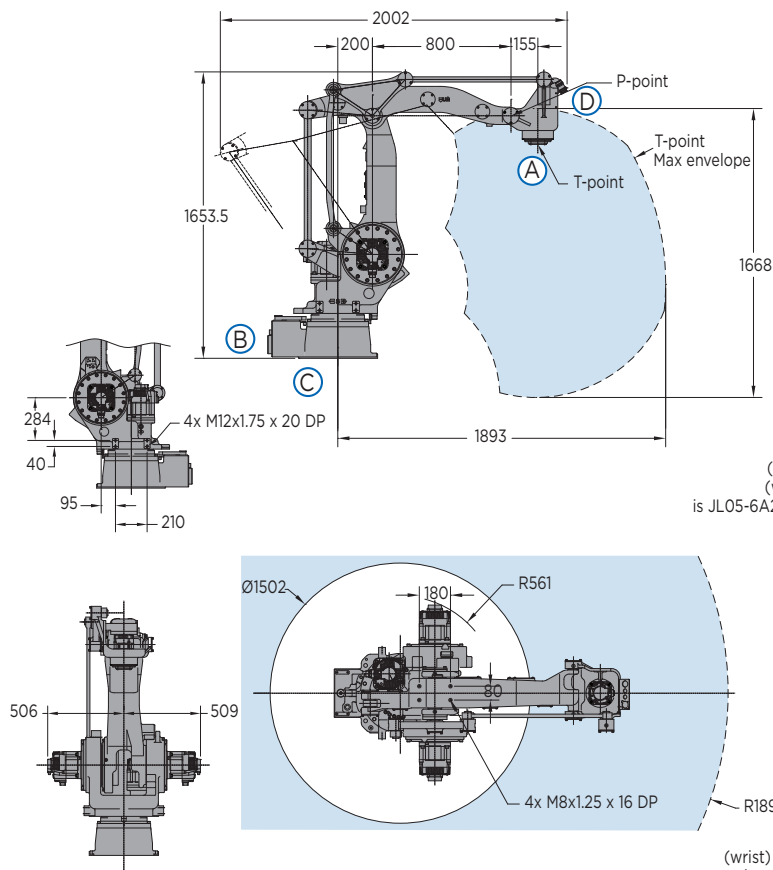
50 kg payload
±0.5 mm repeatability
Maximum Reach:
(H) 1,893 mm x (V) 1,668 mm

CONTROLLERS

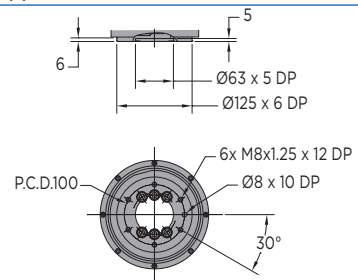
DX100 FS100 MLX200

- 4-axis, 50 kg capacity robot specifically designed for high-speed case packing, layer forming and palletizing applications.
- Slim design with 360° work envelope, horizontal reach of 1,893 mm and vertical reach of 1,668 mm provides unmatched agility.
- T-axis high moment of inertia provides ability to carry heavy payloads without compromising performance, even when load is unbalanced.
- Internally routed airlines and electrical wires eliminate cable interference, enhance life of the cables and improve reliability.
- Internally routed fieldbus connection to T-axis/tool.
- Cable mounts along both sides of robot provide easy routing.
- Auxiliary equipment (maximum of 10 kg), such as valve packs, can be mounted on upper arm to simplify gripper design or reduce gripper interferences.
- Available on DX100 or PLC-controlled MLX200 platform make the MPK50 robot ideal for a wide variety of applications.
- Model variations for food production, pharmaceuticals or automotive parts:
 - XP (eXtra Protection) provides IP65 robot body and IP67 wrist.
 - Food grade option with NSF-H1 certified food-grade lubricants.
 - Anticorrosive paint that withstands harsh caustic cleaners (pH 3-11).

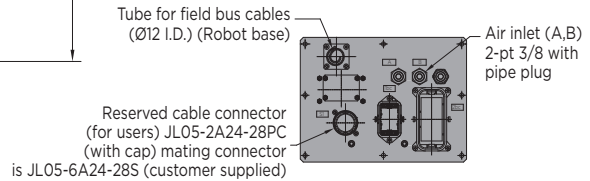
MPK50 ROBOT



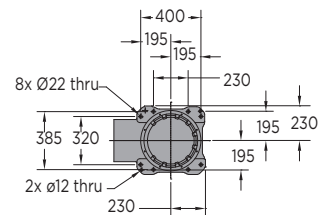
VIEW A



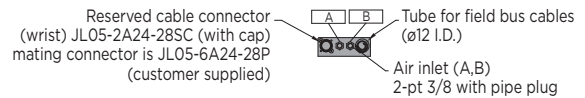
VIEW B



VIEW C



VIEW D



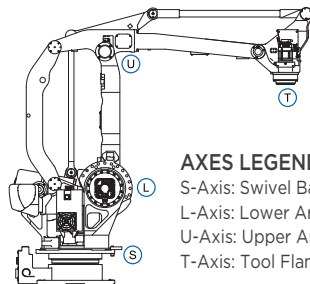
All dimensions are metric (mm) and for reference only.
Request detailed drawings for all design/engineering requirements.

SPECIFICATIONS

Axes	Maximum motion range [°]	Maximum speed [°/sec.]		Allowable moment [N•m]	Allowable moment of inertia [kg•m ²]	Controlled axes	4
		DX100	MLX200				
S	±180	185	185	12	-	Maximum payload [kg]	50
L	+80/-35	215	160	13	-	Repeatability [mm]	±0.5
U	+15/-10.5	215	160	7	-	Horizontal reach [mm]	1,893
T	±350	374	374	-	5.5	Vertical reach [mm]	1,668
						Protection (IP rating)	Body: IP54; Wrist: IP67
						Standard	Body: IP65; Wrist: IP67
						XP version	
						Weight [kg]	670
						Power requirements	3-phase, 240/480/575 VAC at 50/60 Hz
						Power rating [kVA]	
						DX100	4.0
						MLX200	6.0

OPTIONS

- Extended length manipulator cables
- Robot risers and base plates
- Wide variety of fieldbus connectivity



Representative 4-axis model

Yaskawa America, Inc.
Motoman Robotics Division

100 Automation Way
Miamisburg, OH 45342
Tel: 937.847.6200
Fax: 937.847.6277

motoman.com

YASKAWA